

Diaphragm Seal

4026/60 flange SMS with flush diaphragm
with pressure transmitter

E 06.03.03

Ed.17.01

Design	Diaphragm seal with flush diaphragm and flange Ø 60 mm according to SMS. Stainless steel pressure transmitter
Type	4026/60
Lower part	Flush diaphragm and flange Ø 60 mm according to SMS
Flange	Dimension 100x12,5 mm Diaphragm Ø 60 mm for process Drill holes 6 x Ø 9 mm dim Ø 83 mm Sealing face form B2
Pressure rate	PN 40 for pressure ranges 0-1,6 bar to max 0-40 bar
Material standard	Upper body in stainless steel 1.4404 (316L) Diaphragm in stainless steel 1.4435 (316) with ECFTE-coating
Level of cleanliness	Oil and grease free per ASTM G93-03 level E (< 550 mg/m ²)
Working Pressure	90% of full scale range by fluctuating pressure full scale value by short time pressure
Process temperature	Process temperature max +150°C
Ambient temperature	Ambient temperature standard +10+40°C Option lowest temperature to max -40°C Option highest temperature to max +60°C
Cooling/capillary	The pressure instrument must be protected in process temperatures over +200°C with cooling tower or capillary
Filling media	KN 2 silicone oil (standard) temperature -45+300°C KN 17 silicone oil for low temperatures -90+200°C KN 32 silicone oil for high temperatures -25+400°C KN 21 halocarbene for oxygen and chlorine -60+175°C KN 70 silicone free filling -20+200°C KN 59 Neobee M-20 FDA (Food & Pharma) -35+260°C KN 92 white mineral oil FDA (Food & Pharma) -15+260°C
Certificate (option)	EN 10204-3.1 Certificate wetted parts incl. chemical analysis EN 10204-3.1 Certification of class and accuracy EN 10204-3.1 Accuracy calibration values listed EN 10204-3.1 Pressure and stability test EN 10204-3.1 Helium leak test
More options	Monterad syrafast TAG-bricka med ingravering Wetted parts with PFA-coating Wetted parts in Hastelloy, Tantal or Duplex



4026/60 with
pressure transmitter
type S-20

Diaphragm Seal

4026/60 flange SMS with flush diaphragm
with pressure transmitter

E 06.03.03

Pressure transmitters for mounting with diaphragm seal 4026/60



Pressure transmitter S-20

Standard design
Non-linearity 0,25% BFSL
Case in stainless steel 316L
Wetted parts in stainless steel 316L
Output signal 4-20 mA or 0-10 V
Connector DIN EN 175301-803 A,
Circular connector M12x1 or cable outlet IP67 or IP68



Pressure transmitter IS-3

Ex ATEX design
Non-linearity 0,25% BFSL
Case in stainless steel 316L
Wetted parts in stainless steel 316L
Output signal 4-20 mA or 0-10 V
Connector DIN EN 175301-803 A,
Circular connector M12x1 or cable outlet IP67 or IP68
Ex ATEX and IECEx II 1/2 G Ex ia IIC T4/T6 Ga/Gb + 1 M1 Ex ia I Ma



Pressure transmitter F-20

with field case
Non-linearity 0,25% BFSL
Case in stainless steel 316L
Wetted parts in stainless steel 316L
Output signal 4-20 mA or 0-10 V
Field case in stainless steel
Ingress protection IP 67



Pressure transmitter PGT23.100

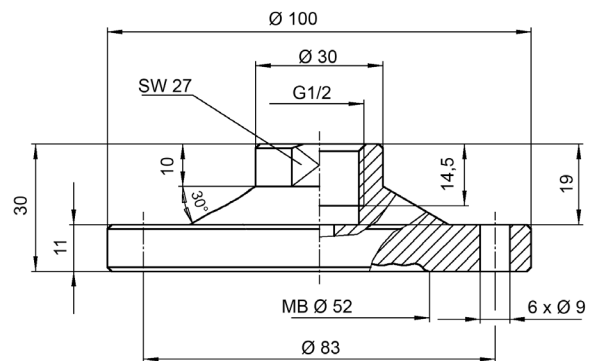
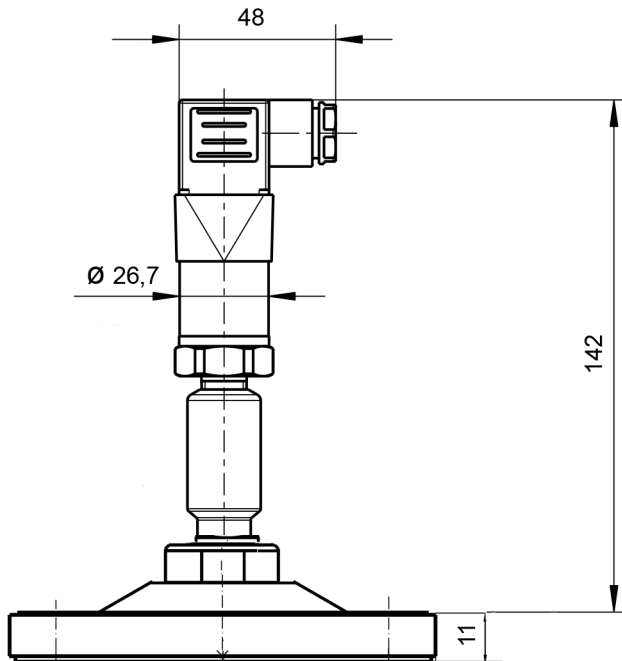
With analogue on-site display, case 100 mm
Safety version with safety wall behind the scale
Non-linearity 0,5% BFSL
Case in stainless steel 316L
Wetted parts in stainless steel 316L
Output signal 4-20 mA or 0-10 V
Option with liquid filled case

Diaphragm Seal

4026/60 flange SMS with flush diaphragm
with pressure transmitter

E 06.03.03

Pressure transmitter S-20 with diaphragm seal 4026/60



Weld-in flange 8500

Weld-in flange 8500 can be delivered as option.
Material: Stainless Steel 316L, Sealing viton
Complete with boltings
Material certificate
Code: 85000000

